



# Rack Mount Economic 8-zone IP Amplifier

## T-77500Z

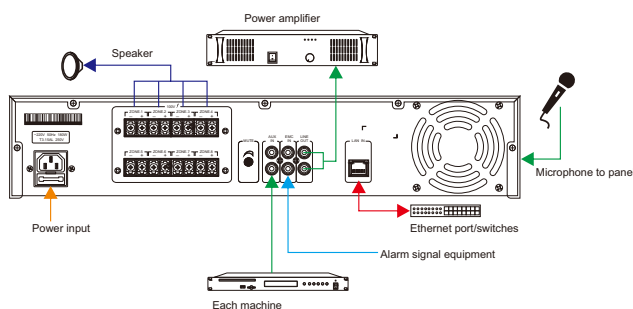


Remote control

### Specifications

<b>Model</b>	T-77500Z
<b>Network Interface</b>	Standard RJ45 input
<b>Transmission Rate</b>	100Mbps
<b>Support Protocol</b>	TCP/IP, UDP
<b>Audio Format</b>	MP3
<b>Audio Mode</b>	16 bits CD sound quality
<b>Sampling Rate</b>	8KHz~48KHz
<b>EMC Input Sensitivity</b>	775mV (Unbalance)
<b>AUX Input Sensitivity</b>	350mV (Unbalance)
<b>MIC Input Sensitivity</b>	5mV (Unbalance)
<b>AUX Output Amplitude</b>	1000mV 2 RCA output
<b>AUX Output Impedance</b>	470Ω
<b>Treble Adjustment Range</b>	±10dB
<b>Bass Adjustment Range</b>	±10dB
<b>Rated Power</b>	500W
<b>Power Consumption</b>	750W
<b>Standby Power</b>	<10W
<b>Consumption</b>	
<b>Frequency Response</b>	80Hz~16KHz +1/-3dB
<b>THD</b>	≤1%
<b>SNR</b>	>65dB
<b>Output Method</b>	100V constant pressure output
<b>Circuit Protection</b>	DC Output, Overload, Overtemperature, Short Circuit Protection Circuit
<b>Working Temperature</b>	5℃~40℃
<b>Working Environment Humidity</b>	20%~80% relative humidity, no condensation
<b>Input Power</b>	~220V 50Hz
<b>Dimension</b>	484 x 359 x 132mm
<b>Weight</b>	18Kg

### Rear Panel



### Product Introduction

Installed in weak power room or sub-control room of each broadcast management area, it has built-in high-fidelity power amplifier, suitable for the halls, corridor, outdoor and other areas of the program broadcast and local radio.

### Product Feature

- \* Standard 19 inch rack design, black alumina panel, solid handle, professional mechanical assembly process, the appearance is very high-end.
- \* Industrial-grade LCD display in 3.4-inch, which can clearly display most dot matrix patterns and machine working status; equipped with infrared remote control, it use to any content in the program library of the on-demand server, available to control the play/ pause, flexible and simple operation.
- \* With embedded computer and DSP audio processing technology.
- \* Built-in 1-channel network hardware audio decoding module, support TCP / IP, UDP, to achieve network transmission 16-bit CD audio quality audio signal.
- \* Built-in high-fidelity professional analog power amplifier, with 240W 8-zones independent control constant voltage 100V power output selection. 1-8 zone output port, after the server PC software is configured, it can support call arbitrary area (or partition group), support to call all the zones on same time. Support configuring a region (or partition group) for a single period of time to perform timing tasks. The alarm task triggers any area (or partition group) task, real-time file plays any area (or partition group) task, and real-time terminal picks up any area (or partition group) task. The output terminal of the area is 100V, which can be used to connect 100V constant pressure speaker.
- \* 1-channel (AUX) and 1 microphone (MIC) input interface, with independent volume and treble/bass adjustment potentiometer control, support without internet local paging function.
- \* 1-channel EMC input interface, input emergency alarm voice signal is direct connection (Without switching), with the highest priority.
- \* 2-channel audio signal auxiliary output interface, it can expandable by connect external power amplifier, the standard lotus seat interface, wiring connection is very convenient.
- \* Built-in intelligent power management, when there is no music or call, it will automatically cut off the power of amplifier, when there is signal, it will automatically turn on the power of amplifier, support IP software programming pre-open power amplifier function.
- \* Built-in 3-level priority settings
- \* EMC is the highest priority.
- \* The network alarm signal have higher priority over MIC, AUX and network background music signals.
- \* MIC has higher priority over AUX and network background music signals.
- \* AUX and network background music at the same priority level.
- \* Support silence intensity preset reduction function, background accompaniment preset function, and support status lamp display, including level indicator, protection indicator, standby indicator, etc. The standby power of the whole machine is less than 10W.
- \* Compatible with any network structure such as router, switch, bridge gateway, Modem, Internet, 2G, 3G, 4G, etc.
- \* Digitalized products, easy expansion, not limited by geographical location, no need to increase the engine room management equipment, adopt the design concept of common network free line construction, easy to installation.
- \* It Support remote hardware upgrade of the terminal, no need to upgrade at the local site, to reduce maintenance burdens and make more simple operation.