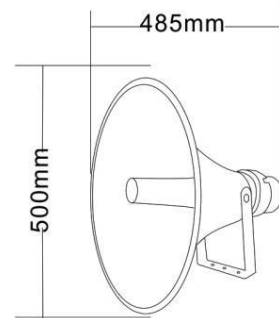
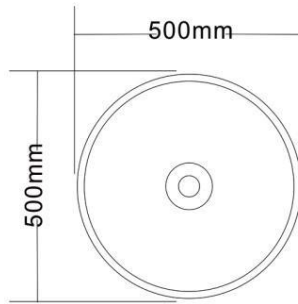
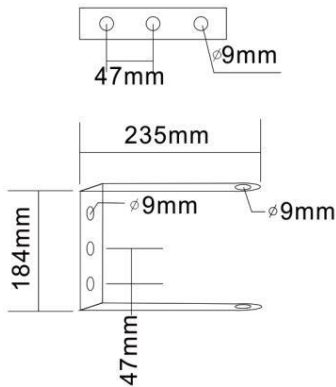




Weatherproof Horn Speaker

T-720CD



Features:

All aluminum alloy structure, wide frequency domain waterproof horn, large power, strong sound penetration, wide coverage, suitable for square, railway station, etc.

Specifications:

Model	T-720CD
Rated Power(100V)	25W, 50W, 100W
Rated Power(70V)	12.5W, 25W, 50W, 100W
Maximum Power	200W
Impedance	COM /400Ω/200Ω/100Ω/ 50Ω 4 Ω / 8 Ω /16 Ω
Frequency Response (-20dB)	160-8KHz

Sensitivity (1W/1M)	114dB±3dB
Dimension	485×500mm
Weight	4.7Kg
IP Rate	IP66 Aluminum alloy

Frequency response diagram and speaker sensitivity:

